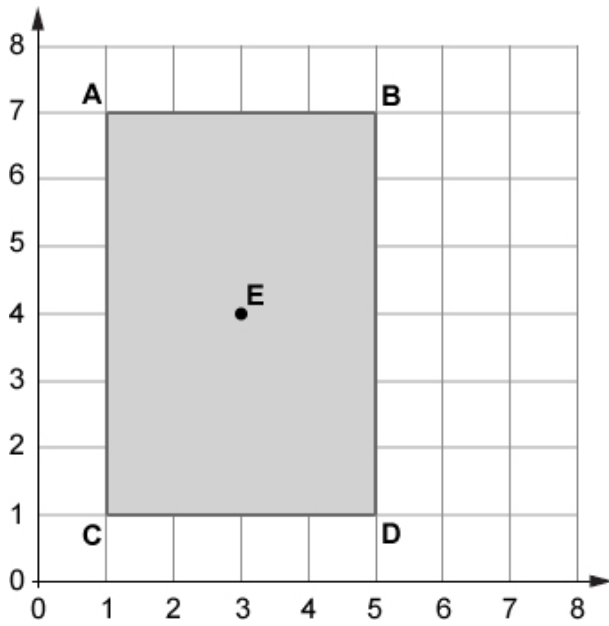


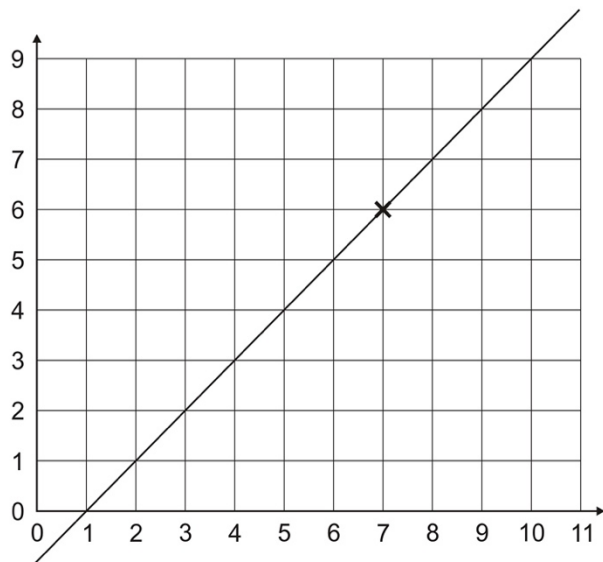
4/6/2020

LO: solve problems involving coordinates in the first quadrant



A1) Write the coordinates of point B.

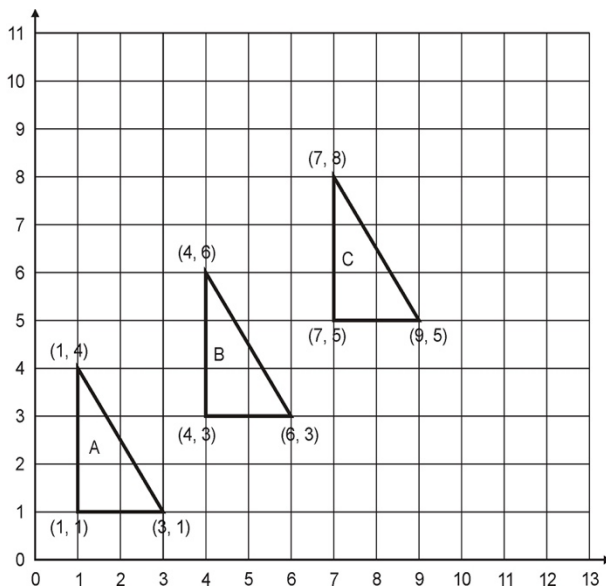
A2) Write the coordinates of point E.



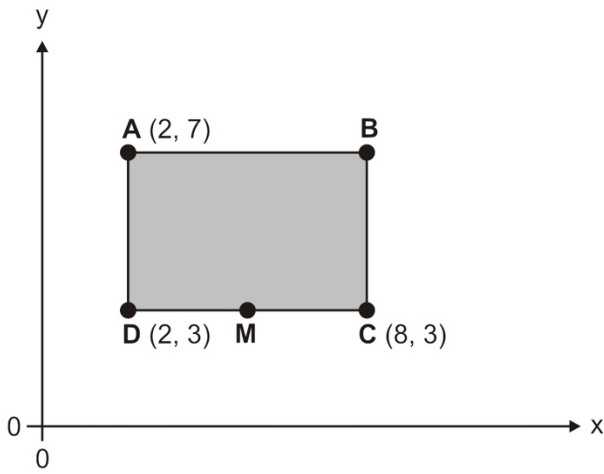
B) (7, 6) are coordinates of a point on the line.

Which of the following coordinates are also on the line?

- | | | |
|--------|---------|--------|
| (3, 2) | (9, 10) | (5, 4) |
| (4, 2) | (10, 9) | (7, 9) |

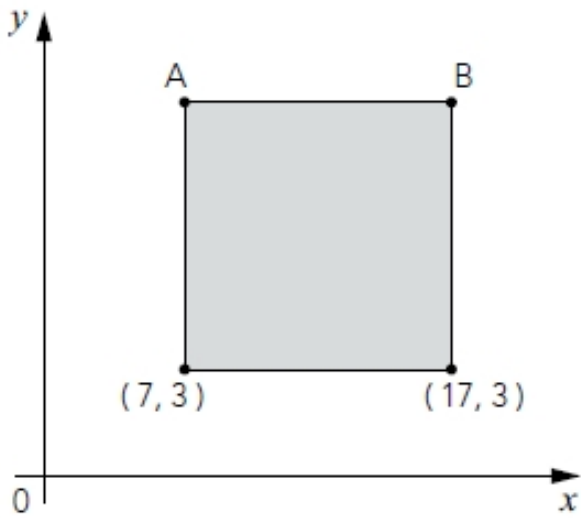


C) Write the coordinates of the next triangle in the sequence.



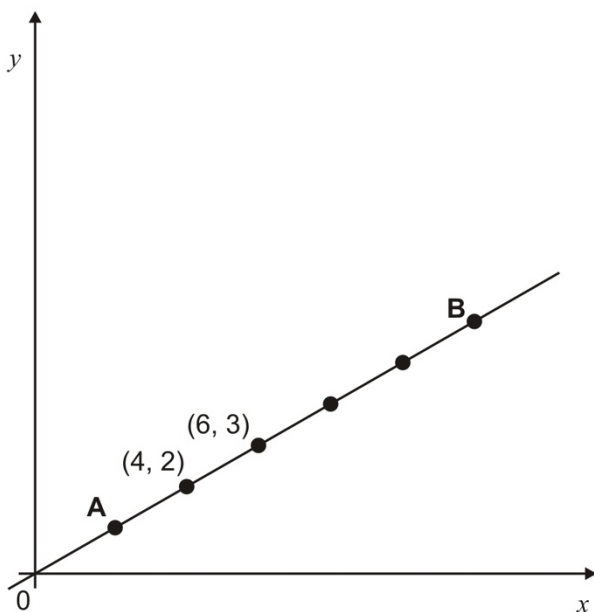
D1) Here is a shaded rectangle.
What are the coordinates of B?

D2) M is halfway between D and C.
What are the coordinates of M?



E) The shaded shape is a square.

What are the coordinates of A and B?

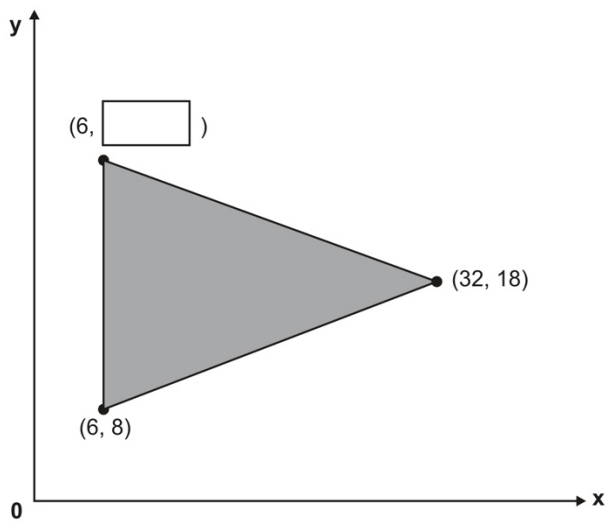


F) Here is a graph.

The dots on the line are equally spaced.

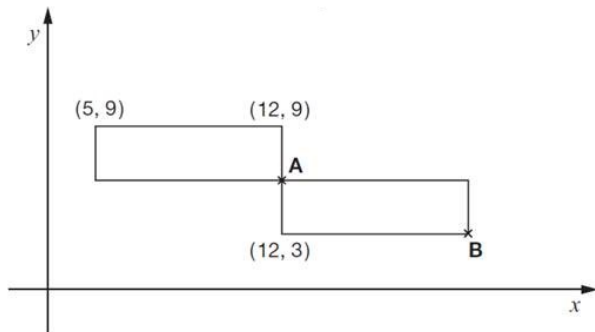
What are the coordinates of the point A?

What are the coordinates of the point B?



G) The shaded shape is an isosceles triangle.

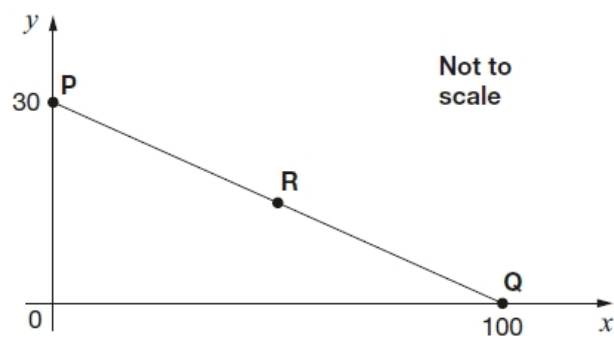
What is the missing coordinate?



H) The diagram shows two identical rectangles on coordinate axes.

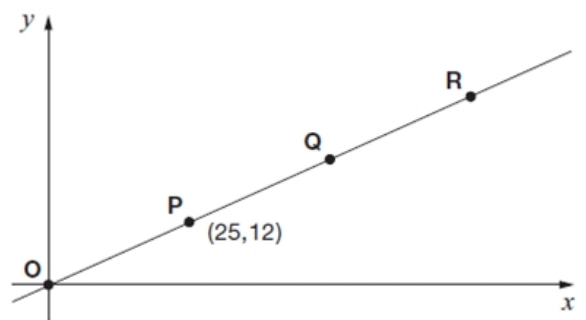
Write the coordinates of point A and point B.

Level 2



I) In this diagram R is an equal distance from P and Q.

What are the coordinates of R?



J) Here is a line on coordinate axes.

Points O, P, Q and R are equally spaced.

The coordinates of P are (25,12).

What are the coordinates of R?