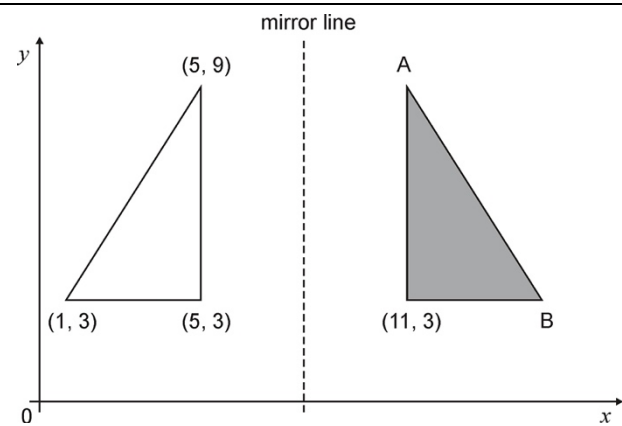


1) Here is a pentagon drawn on a coordinate grid.

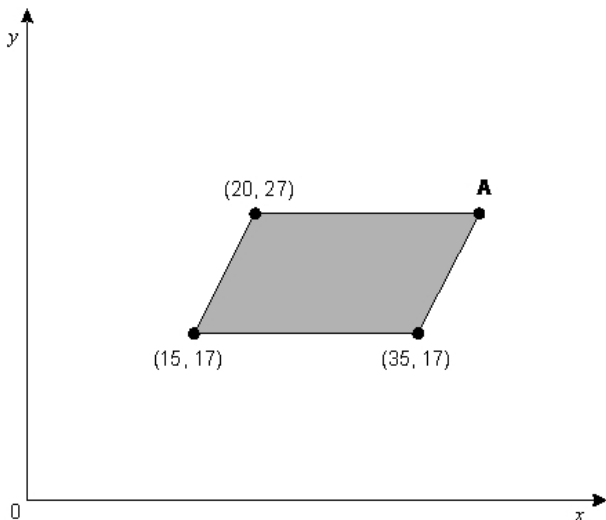
The pentagon is symmetrical.

What are the coordinates of point C?



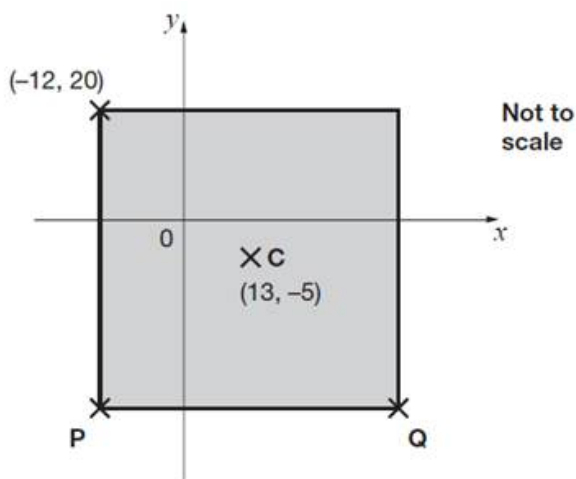
2) The shaded triangle is a reflection of the white triangle in the mirror line.

Write the coordinates of point A and point B.



3) The shaded shape is a parallelogram.

Write the coordinates of point A.



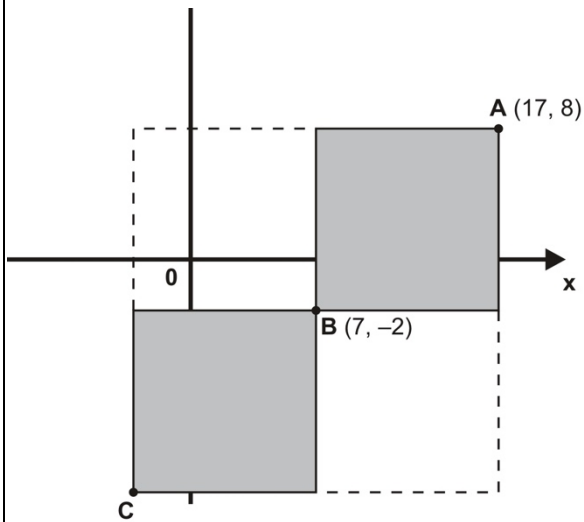
4) Here is a square on coordinate axes.

C is the centre of the square.

Find the coordinates of P and Q.

5) The two shaded squares are the same size.

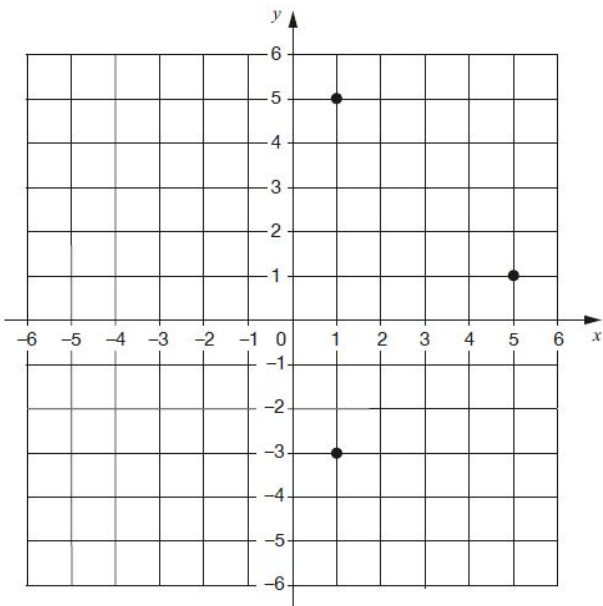
What are the coordinates of the point C?



6) Layla draws a square on this coordinate grid.

Three of the vertices are marked.

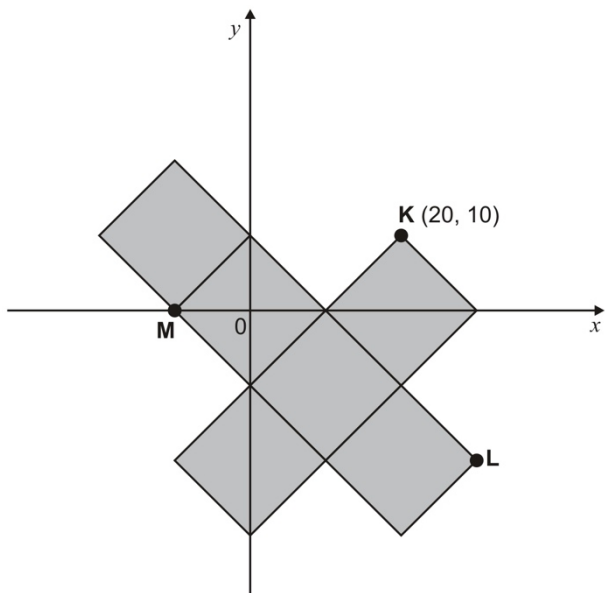
What are the coordinates of the missing vertex?



7) The diagram shows 6 shaded squares.

K is the point (20, 10)

What are the coordinates of L and M?



8) The shaded shape ABCD is a square.

What are the coordinates of D?

